



# AMC P5040

Highly Configurable

Technology Independent

System Validated

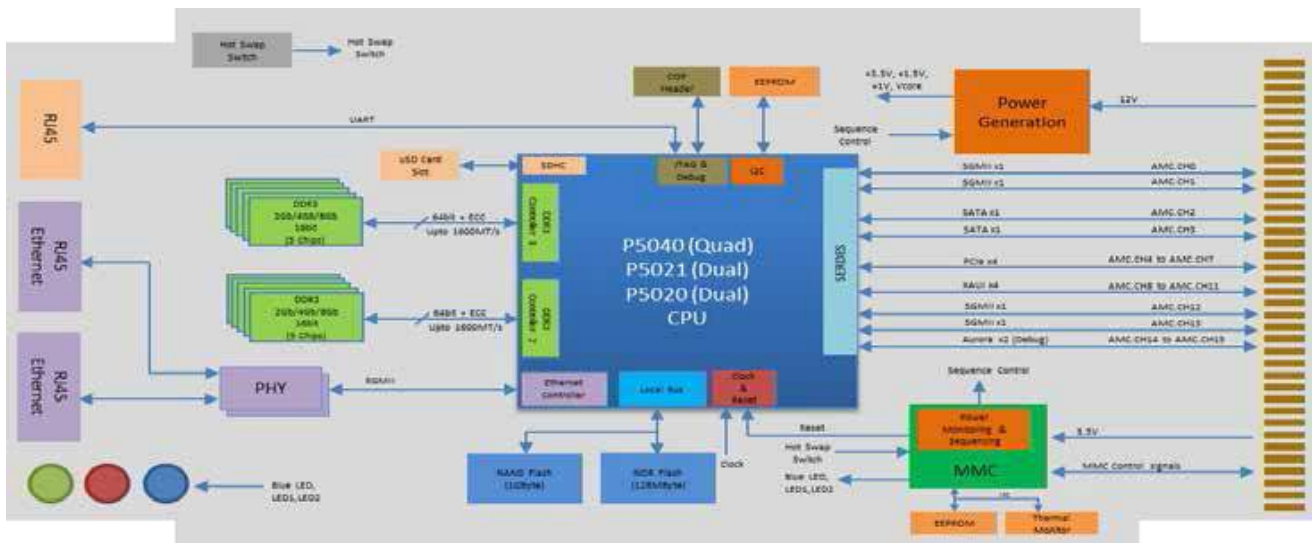
## QorIQ P5040 Based AMC

### Overview

Mobeveil's Advanced Mezzanine Card solutions enables reliable and robust system designs. A numerous configurations and customizations will help to choose the suitable product for your design. The heart of AMCP5040 is QorIQ series Freescale CPU, which provide an intensive computational power with its 2.2GHz\* clock and high speed connectivity. Ethernet connectivity & UART at the front panel will enable you to download your program and help board bringup.

8GB\* of DDR3 RAM provides the sufficient run time memory for all of your needs. 128MB of NOR & 1GB of NAND memory can be used for code and data storage. In addition there is a USD card slot for an expansion. Mobeveil's AMC complies all the PICMG specifications and standards which will guaranteed to work with any standard AMC adapter. Complete U-boot & Linux Software development support enable you to speed up the Time to Market rate.

\* see ordering info



# Features

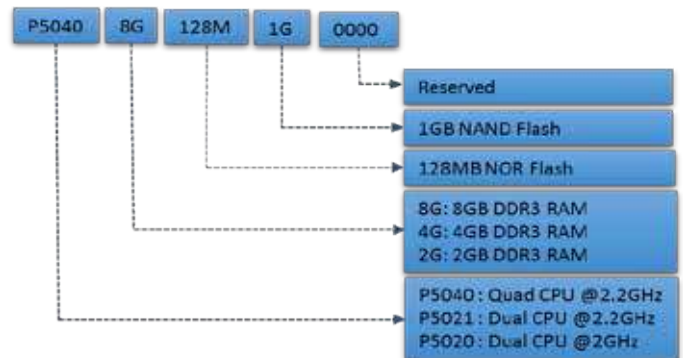
CPU	<p>QorIQ e5500 P5040 Quad core CPU @2.2GHz</p> <p>QorIQ e5500 P5021 Dual core CPU @2.2GHz</p> <p>QorIQ e5500 P5020 Dual core CPU @2GHz</p>
Interfaces	<p>Upto 8GB DDR3 with ECC</p> <p>128MB of NOR flash &amp; 1GB of NAND flash</p> <p>uSD Card slot upto 32GB Expansion</p> <p>Two IEEE802.3 Gigabit Ethernet in the front panel</p> <p>PCIe Gen3 x4 interface</p> <p>XAUI x4 interface</p> <p>Two SATA Gen2 Interface</p> <p>Four SGMII x1 interface, Aurora x2 interface</p> <p>One RS232 port in RJ45 in the front panel</p> <p>COP Header for standard Debuggers</p>
Dimension	<p>Mid size, AMC form factor, 181.5mm x 73.5mm x 18.96mm</p>
Environmental Specification	<p>Operating Temperature : -5 to 55 deg C</p> <p>Storage Temperature : -40 to 70 deg C</p>
Power Supply Options	<p>Payload power : 12V</p> <p>Management power : 3.3V</p>
Software Support	<p>U-Boot, linux</p>
Front panel Interfaces	<p>Two Gigabit Ethernet in RJ45</p> <p>RS232 in RJ45</p> <p>LED indications for IS, OOS, HS</p>
Compliance	<p>ATCA PICMG3.0 specifications</p> <p>AMC/uTCA, PICMG AMC.0 Spec R.20</p> <p>PICMG AMC.1.AMC.2.AMC.3</p> <p>MMC complaint to IPMI specifications</p> <p>FCC Part 15 Class A</p>
Target Applications	<p>SDN</p> <p>Military &amp; Medical Applications</p> <p>Media Gateway &amp; Media Servers</p> <p>Gateway applications</p>
Deliverables	<p>Schematics (PDF) U-boot, Linux, Device drivers</p> <p>User Manuals</p> <p>Availability: Contact sales</p>

# About Mobiveil

Mobiveil is a fast growing Technology company that specializes in creation of Intellectual Properties, Frameworks and Solutions for the Networking, Enterprise and Device Mobility markets. The Mobiveil team leverages decades of experience in delivering high-quality, production-proven, high-speed serial interconnect Silicon IP cores to the leading customers worldwide. With a highly motivated engineering team, dedicated integration support, flexible business models, strong industry presence through strategic alliances and key partnerships, Mobiveil solutions have added tremendous value to the customers in executing their marketing and engineering goals within budget and on time.

Mobiveil is headquartered in the Silicon Valley with engineering development centers located in Milpitas, CA, Chennai and Bangalore, India, and sales offices and representatives located in US, Europe, Israel, Japan, Taiwan and Peoples Republic of China.

## Ordering Info



## Contact Sales

Mobiveil Inc  
920 HillView Court | #250 | Milpitas | CA 95035  
PH: 408.212.9512 | f: 408.457.0406  
e: ip@mobiveil.com  
www.mobiveil.com

Mobiveil Inc. reserves the right to change this document without prior notice and disclaim all warranties. It is the recipient's duty to confirm with Mobiveil Inc's Engineering Department specifications before proceeding with a product design. This document is confidential and should not be reproduced without Mobiveil Inc's approval.

Mobiveil, GRIO, GPEX, UNEX, UMMC, RAB, PAB, NVMStor are trademarks of Mobiveil Inc.  
Patents and Patents pending.  
©2014 Mobiveil Inc. Milpitas, CA. All rights reserved.



Mobiveil Inc | 920 HillView Court | #250 | Milpitas | CA 95035  
PH: 408.212.9512 | f: 408.457.0406 | e: ip@mobiveil.com  
www.mobiveil.com